

FLAMINGO

Design by Antoni Arola.

Reference

1510.

Application

Hanging lamps

Installation type

Surface

Description

The designer Antoni Arola has created the Flamingo lamps collection for Vibia. A collection of pendant lights that provides an ambient light through a thermoplastic translucent diffuser which performs like a spot light thanks to its LED light source.

Diffuser

Methacrylate diffuser

Materials

LED support: Aluminum

Shade: Methacrylate

Rods: Steel

Ceiling rose: Steel

Finish



1510-18 Matt graphite lacquer (Flamingo RAL 7016)



1510-20 Matt gold (Flamingo gold)

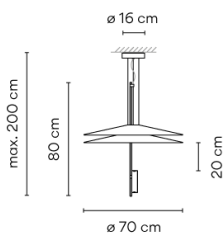


1510-67 Gloss copper (Flamingo copper brown)



1510-93 Matt white lacquer (Flamingo RAL 9016)

Sketch



Electrical characteristics

2 x LED 5,6W 500mA

Total 11.2 W



VIBIA LIGHTING, S.L.U. Barcelona, 72 - 74. 08820 El Prat de Llobregat (Barcelona - Spain). Tel 934 796 970. Fax 934 796 973.
vibia@vibia.com www.vibia.com

VIBIA



Led 2700K CRI >80 1389 lm 124 lm/W

Fixture: 1102 lm 0 lm/W

Driver included: CC - Constant Current 500 mA 110-240V 50/60Hz

Electronic dimming 1-10V Push

ficha.fichatecnicaproducto.regulacion.opcional DALI or SMART

Physical characteristics

2 Box / 0.12 x 0.81 x 0.79 m. / Vol. 0.1320 m³ /

Gross weight 8.7 kg. / Net weight 7.8 kg.

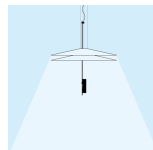
Installation and assembly

Please, see the installation manual

Light distribution

General lighting

Lamp for general lighting that equally distributes the light in all directions.



Photometric data

Efficiency : 79.35%

Coordinate system : CG

Total flux : 1388.84

Maximum value : 1011.39

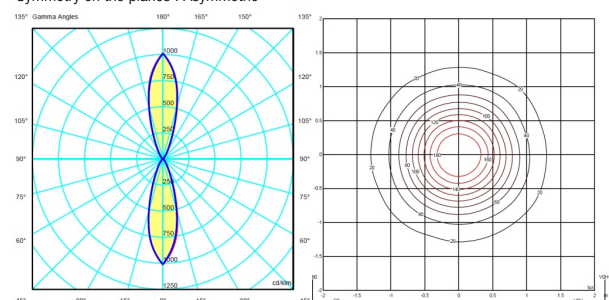
Light position : C=0.00 G=0.00

Symmetry on the planes : Asymmetric

Isolux : Floor

Light position :

X=0.00m Y=0.00m Z=2.50m



Certificates



FLAMINGO

Design by Antoni Arola.

Reference

1520.

Application

Hanging lamps

Installation type

Surface

Description

The designer Antoni Arola has created the Flamingo lamps collection for Vibia. A collection of pendant lights that provides an ambient light through a thermoplastic translucent diffuser which performs like a spot light thanks to its LED light source.

Diffuser

Methacrylate diffuser

Materials

LED support: Aluminum

Shade: Methacrylate

Rods: Steel

Ceiling rose: Steel

Finish



1520-18 Matt graphite lacquer (Flamingo RAL 7016)



1520-20 Matt gold (Flamingo gold)

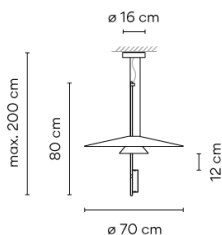


1520-67 Gloss copper (Flamingo copper brown)



1520-93 Matt white lacquer (Flamingo RAL 9016)

Sketch



Electrical characteristics

2 x LED 5,6W 500mA

Total 11.2 W

VIBIA LIGHTING, S.L.U. Barcelona, 72 - 74. 08820 El Prat de Llobregat (Barcelona - Spain). Tel 934 796 970. Fax 934 796 973.
vibia@vibia.com www.vibia.com

VIBIA



Led 2700K CRI >80 1389 lm 124 lm/W

Fixture: 1102 lm 0 lm/W

Driver included: CC - Constant Current 500 mA 110-240V 50/60Hz

Electronic dimming 1-10V Push

ficha.fichatecnicaproducto.regulacion.opcional DALI or SMART

Physical characteristics

2 Box / 0.12 x 0.81 x 0.79 m. / Vol. 0.1320 m³ /

Gross weight 7.5 kg. / Net weight 6.8 kg.

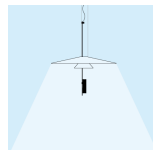
Installation and assembly

Please, see the installation manual

Light distribution

General lighting

Lamp for general lighting that equally distributes the light in all directions.



Photometric data

Efficiency : 79.35%

Coordinate system : CG

Total flux : 1388.84

Maximum value : 1011.39

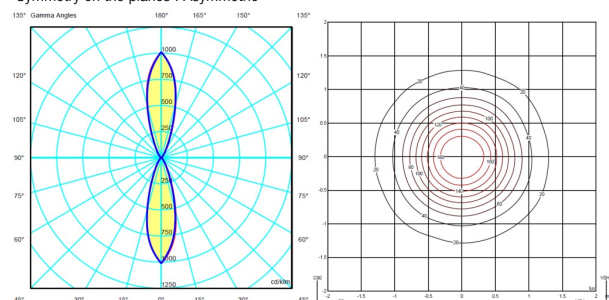
Light position : C=0.00 G=0.00

Symmetry on the planes : Asymmetric

Isolux : Floor

Light position :

X=0.00m Y=0.00m Z=2.50m



Certificates



FLAMINGO

Design by Antoni Arola.

Reference

1530.

Application

Hanging lamps

Installation type

Surface

Description

The designer Antoni Arola has created the Flamingo lamps collection for Vibia. A collection of pendant lights that provides an ambient light through a thermoplastic translucent diffuser which performs like a spot light thanks to its LED light source.

Diffuser

Methacrylate diffuser

Materials

LED support: Aluminum

Shade: Methacrylate

Rods: Steel

Ceiling rose: Steel

Finish



1530-18 Matt graphite lacquer (Flamingo RAL 7016)



1530-20 Matt gold (Flamingo gold)

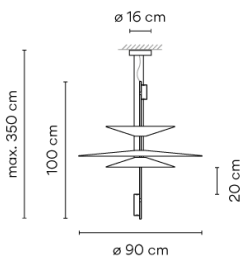


1530-67 Gloss copper (Flamingo copper brown)



1530-93 Matt white lacquer (Flamingo RAL 9016)

Sketch



VIBIA



Led 2700K CRI >80 2083 lm 124 lm/W

Fixture: 1652 lm 0 lm/W

Driver included: CC - Constant Current 500 mA 220-240V 50/60Hz

Electronic dimming 1-10V Push

ficha.fichatecnicaproducto.regulacion.opcional DALI or SMART

Physical characteristics

3 Box / 0.24 x 0.23 x 1.33 m. / Vol. 0.2032 m³ /

Gross weight 13.5 kg. / Net weight 12.2 kg.

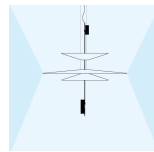
Installation and assembly

Please, see the installation manual

Light distribution

General lighting

Lamp for general lighting that equally distributes the light in all directions.



Photometric data

Efficiency : 79.31%

Coordinate system : CG

Total flux : 2083.26

Maximum value : 1344.47

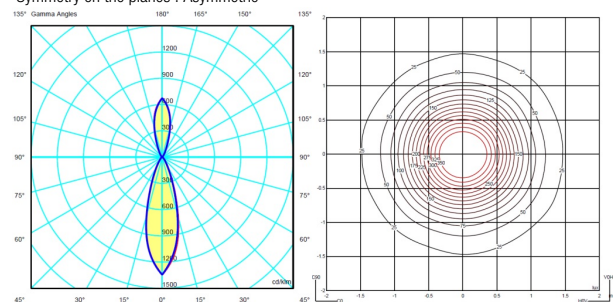
Light position : C=0.00 G=0.00

Symmetry on the planes : Asymmetric

Isolux : Floor

Light position :

X=0.00m Y=0.00m Z=2.50m



Certificates



Electrical characteristics

3 x LED 5,6W 500mA

Total 16.8 W



