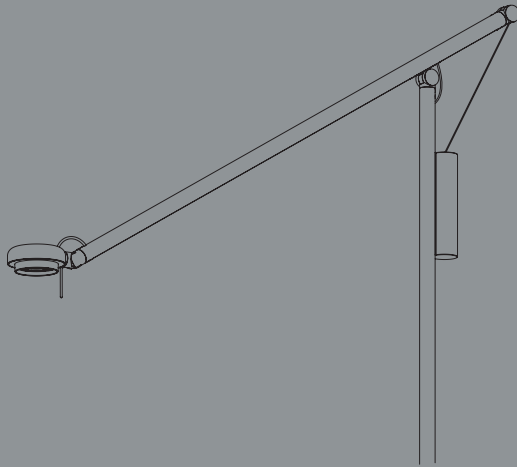


INSTRUCTION MANUAL

---

# FIFTY-FIFTY



By *Sam Weller*

**HAY**



## INTRODUCTION

---

Named Fifty-Fifty after the lamp's counterweight system that creates equilibrium between the two parts, it is clear to see how Sam Weller's references to physics and engineering influence the design. Based on the idea of stripping a multi-purpose task light to its fundamental elements, Fifty-Fifty balances refined, pared-back aesthetics with optimal functionality.

Configurable aluminium components minimise the overall complexity of the design and manufacturing process, creating a feature of the joints and mechanisms that is consistent throughout the entire series. The single cantilever arm is easy to tilt and pivot with one hand, featuring a touch-sensitive dimmer switch for precisely positioning and controlling the light source. The collection comprises lamps with weighted bases in large and small sizes, a large table lamp with clamp base and a floor lamp. Suitable for shared or private areas in homes or corporate environments.

## TECHNICAL DATA

---

This product is supplied with an integrated LED module (3000k warm white, 300-400 lumen). The expected lifespan of the LED module is 25,000 hours. When the light source

reaches its end of life, the whole luminaire should be replaced.

## ATTENTION

---

In some countries, electrical installations must be carried out by authorised electricians/contractors; please check with your local authority for guidance. HAY accepts no

responsibility for any products that have been modified or tampered with.

## CARE AND MAINTENANCE

---

The product can be cleaned with a soft damp cloth and mild detergent. Do not use alcohol or any other solvents to clean the product. The external flexible cable or cord of this luminaire cannot be replaced; if the cord is damaged, the

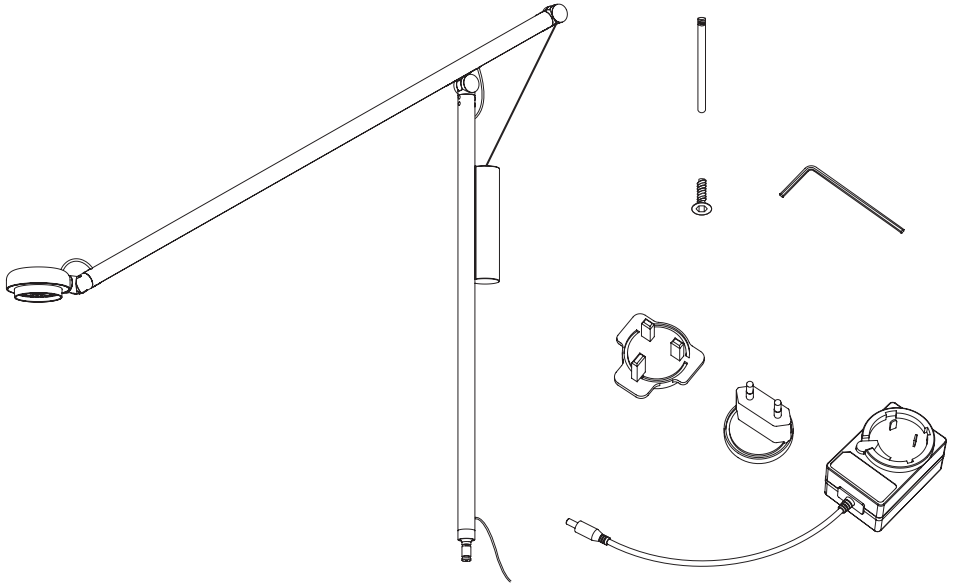
luminaire should be destroyed.

Ensure that the power supply has been turned OFF before cleaning the product.

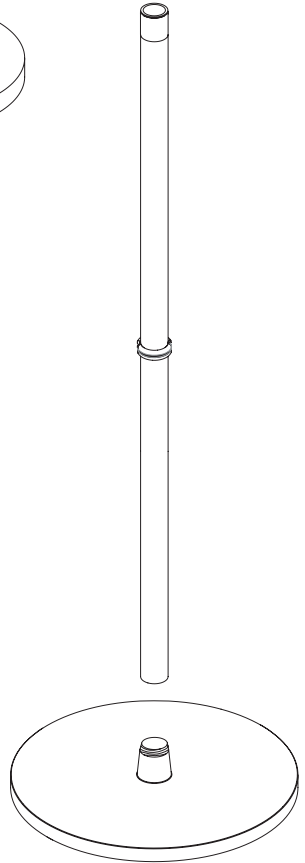
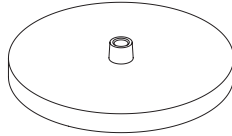
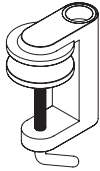


# PARTS

---

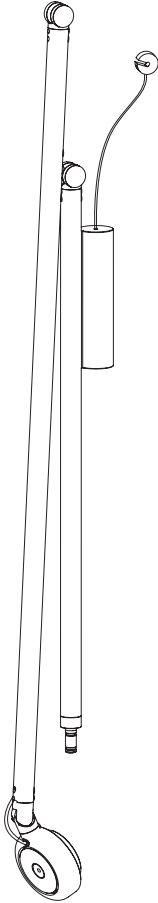


The lamp can be used with several different bases and fixings.



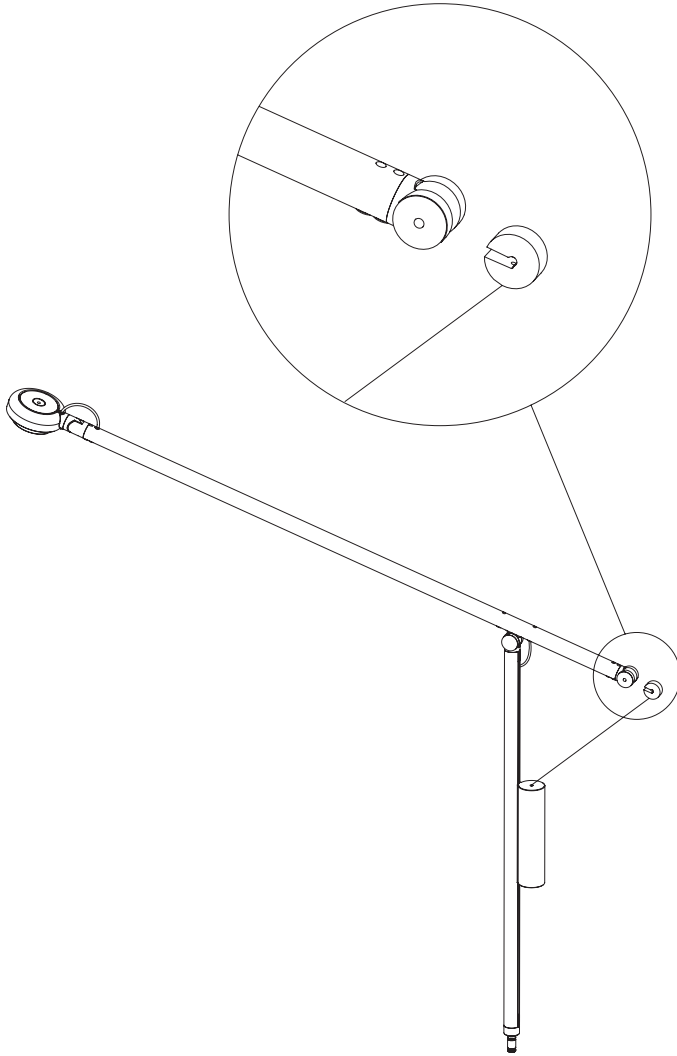
1.

Unpack the lamp & base (packed separately).



2.

Carefully insert the wire retention clip into the arm lugs and ensure the wire retention clip is secure. It may be easier to do this with the lamp lying flat.

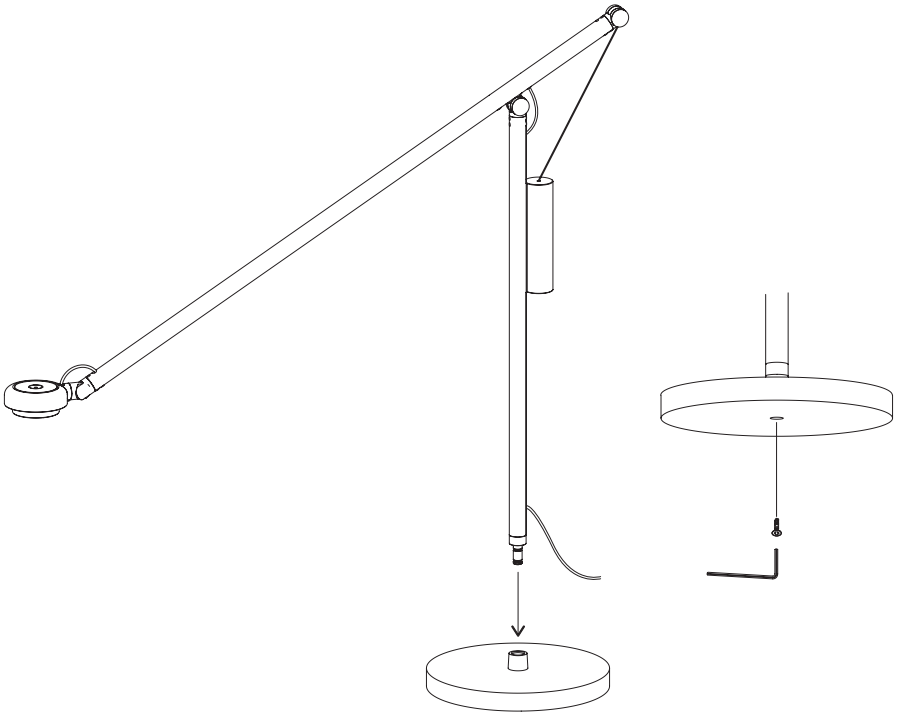




3.

**Table Lamp only**

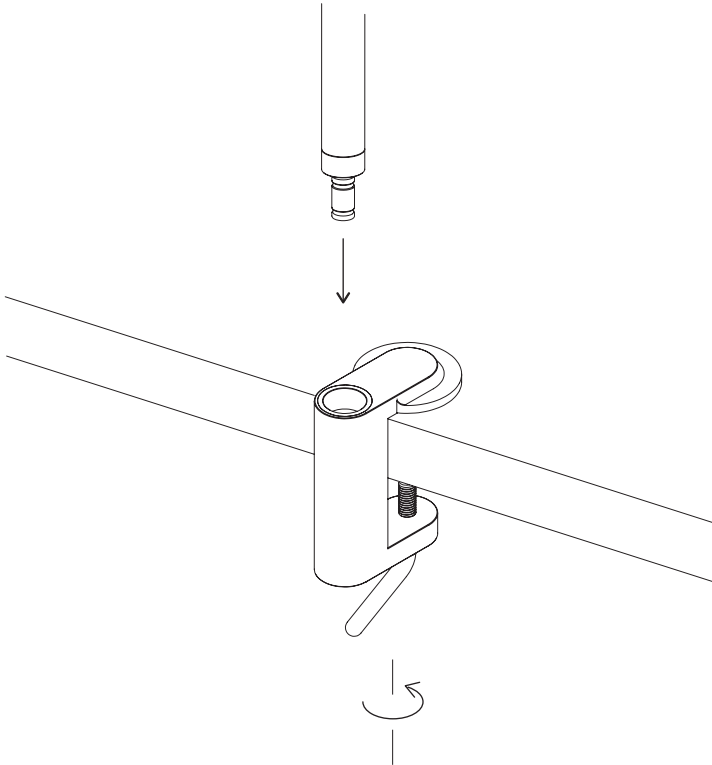
Insert the lamp body into the base. Using the provided tool and screw, the lamp can be fixed to the base through a hole underneath. Ensure this is not too tight so the lamp can still rotate freely.



4.

**Clamp only**

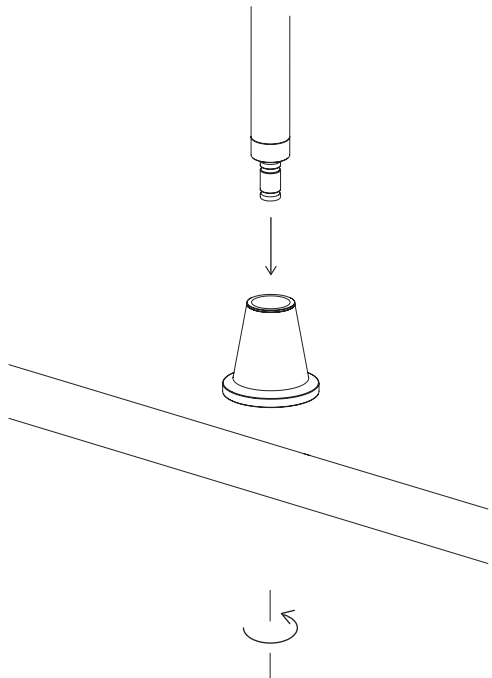
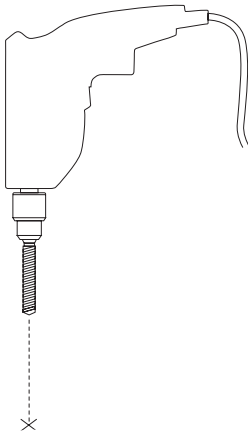
Clamp the clamp base in place by adjusting the grip. Insert the lamp body into the clamp base.



5.

**Table Insert only**

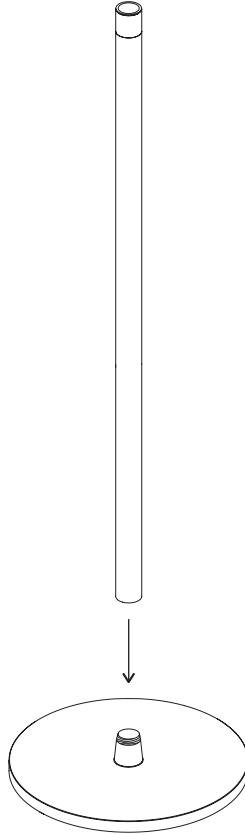
Carefully drill a 10 mm hole into a desktop where you would like the lamp to be positioned. Insert the table insert into the hole and tighten the circular nut underneath to hold firmly in place.



6.

**Floor lamp only**

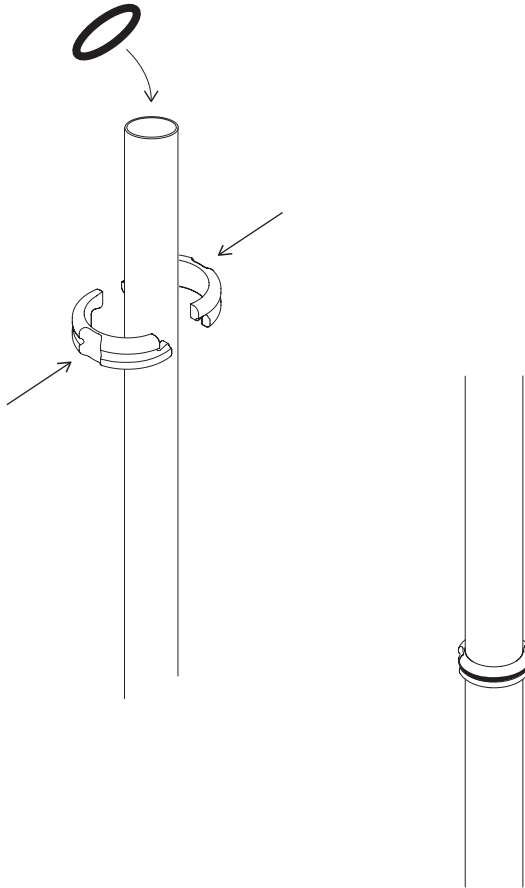
Screw the upright into the floor base.



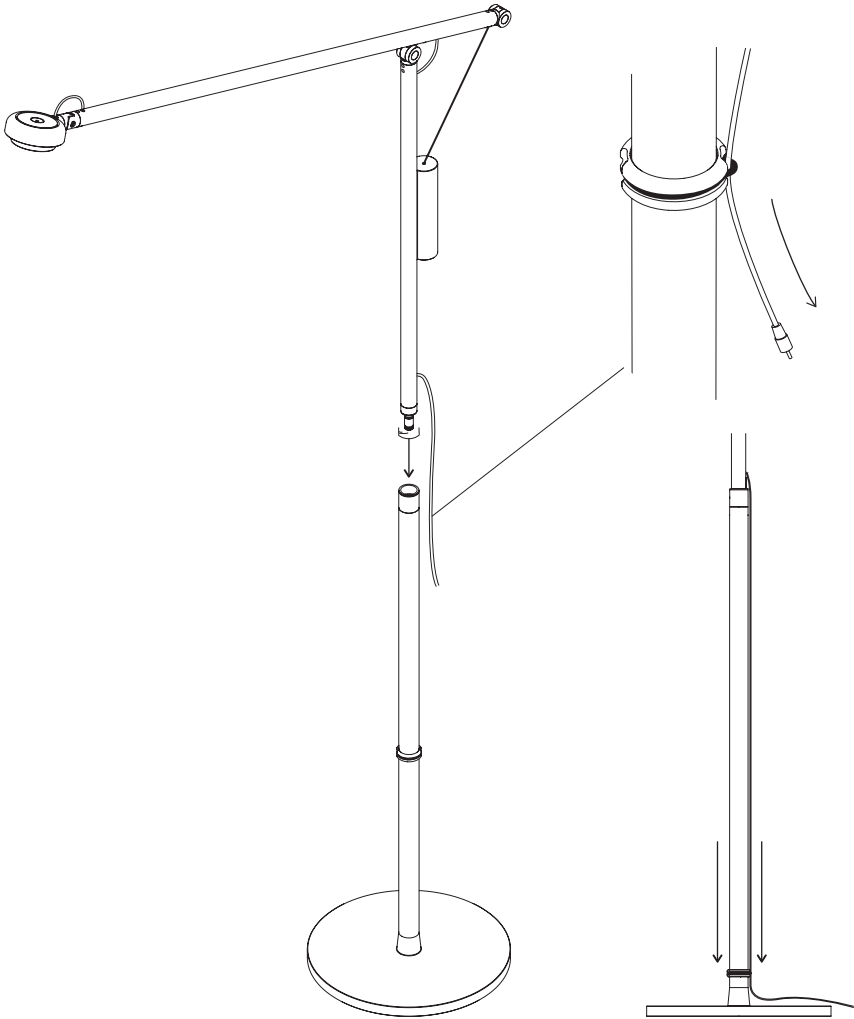
7.

**Floor lamp only**

Add the cable restraint to the upright.



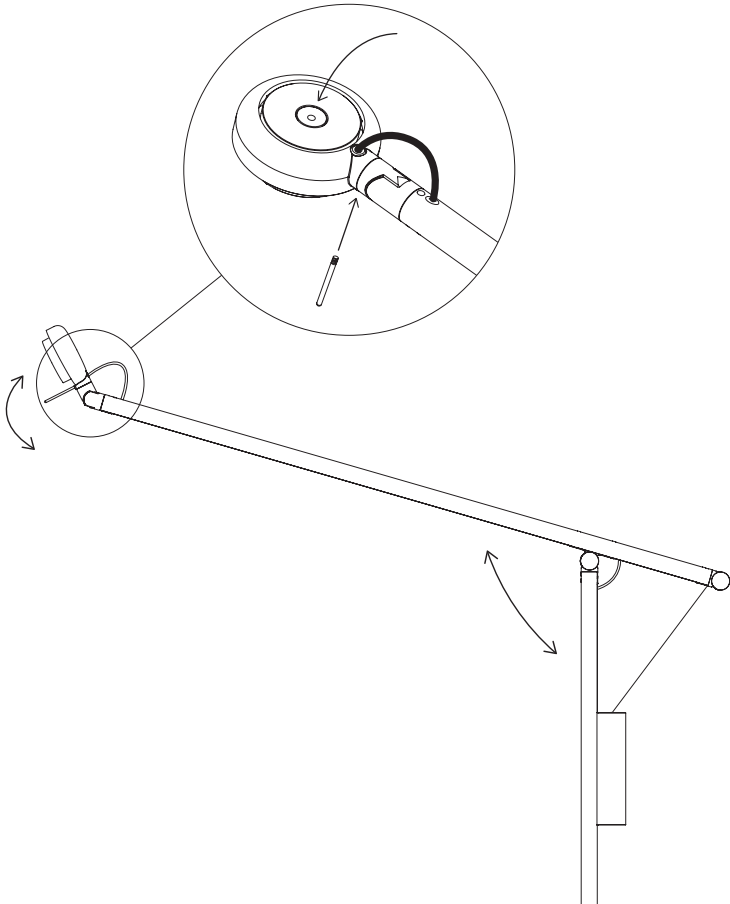
8.



Screw the handle into the head, ensuring it is tight before using it to adjust the lamp's position.

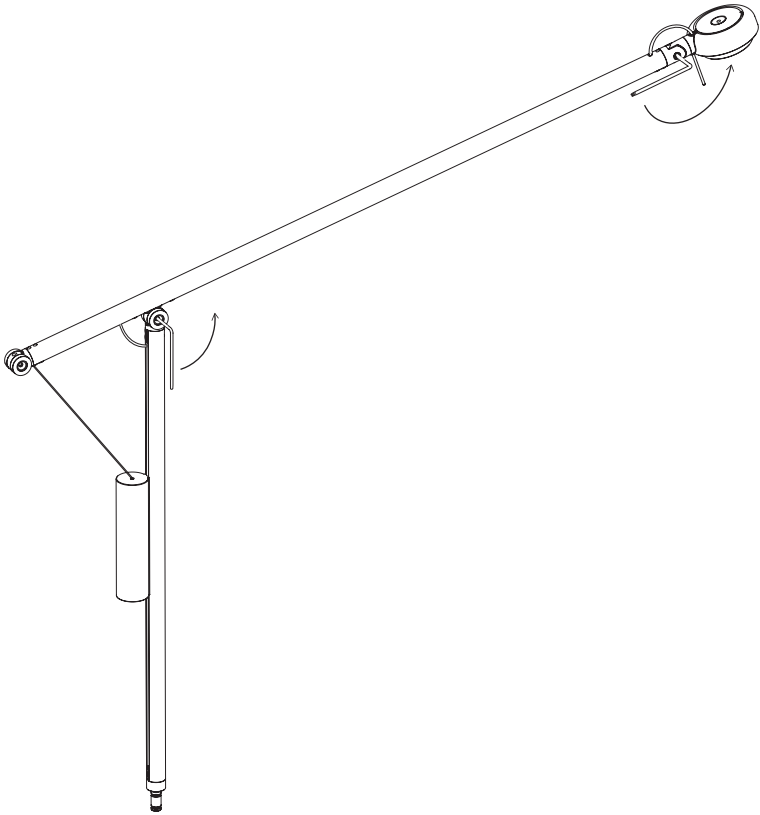
The lamp can be freely moved and will hold in any position.

A touch sensitive step dimming switch is located on the backside of the lamp's light source.



10.

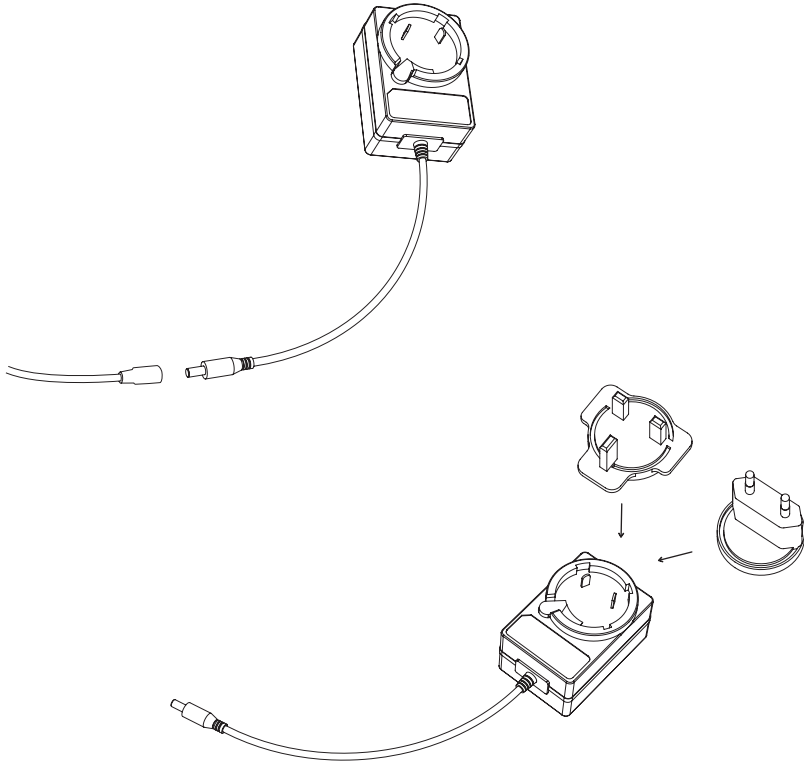
If necessary, the joints can be adjusted using the provided tool.  
Carefully tighten the bolts until the lamp supports itself in any position.





11.

Plug the trailing cable into the power supply. Attach the correct adapter for your region.  
The lamp is now ready for use.







Havnen 1 8700 Horsens Denmark

+45 4282 0282 / [hay@hay.com](mailto:hay@hay.com)

**HAY**