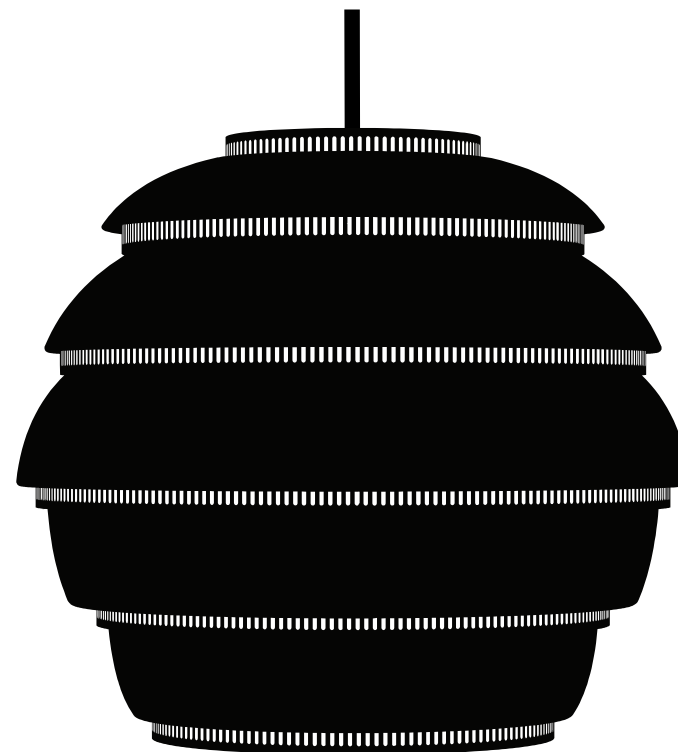


LIGHT A331

BEEHIVE
design Alvar Aalto 1953



BEFORE YOU START INSTALLATION

Read these instructions carefully before commencing installation. Do not attempt the installation unless you are competent. If in any doubt consult a qualified electrician. Before commencing installation ensure that the power supply is disconnected at the fuse box. The lighting is intended for use in normal dry indoor environment.

CLEANING INSTRUCTIONS AND CARE

Take care when handling and installing to avoid damage to the product. A non-static duster can be used to clean the shade.

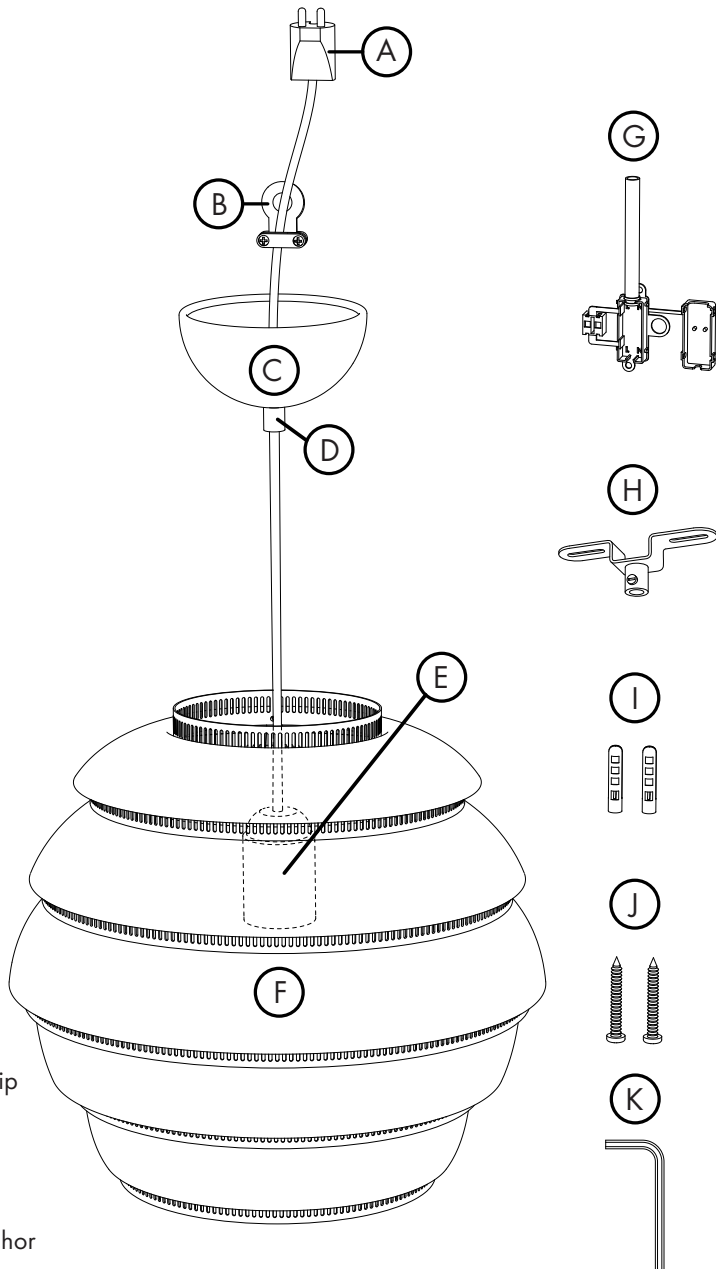
Do not use any chemical or abrasive agents or water to clean the shade.

One can use a moist cloth to clean the shade only when the electricity has been cut off from the pendant.

Dry the shade immediately after wiping with a moist cloth.

IP20
Appliance class II
E27
max. 75W

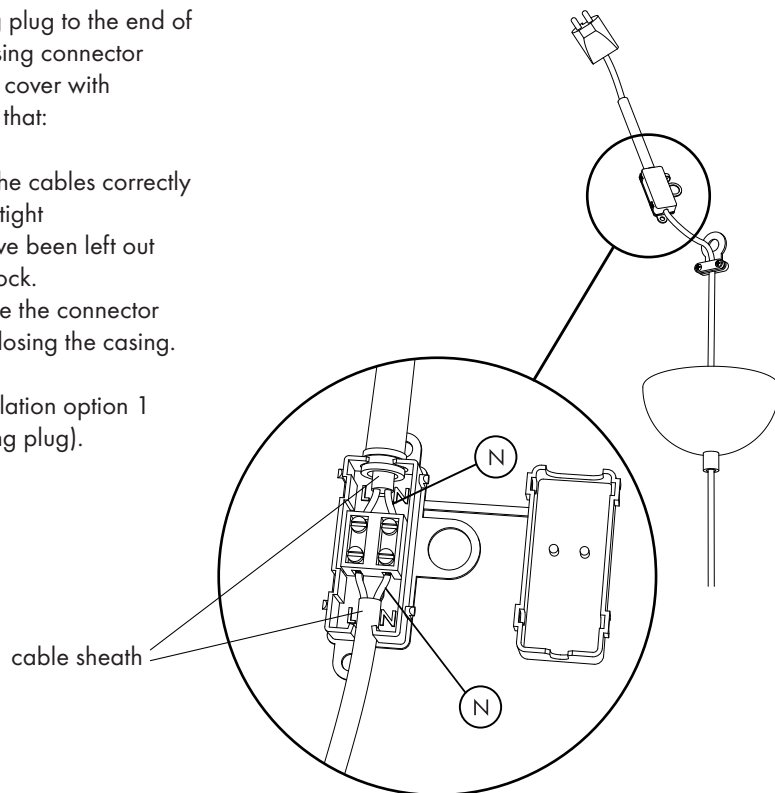
- A. ceiling plug
- B. plastic hook
- C. ceiling cup
- D. ceiling cup cable grip
- E. E27 bulb holder
- F. shade
- G. connector block
- H. ceiling bracket
- I. 2 x plastic screw anchor
- J. 2 x screw
- K. allen key



6. Connect the ceiling plug to the end of the cable as shown using connector block (G). If needed, cover with insulation tape. Check that:

- You have identified the cables correctly
- The connections are tight
- No loose strands have been left out from the connector block.
- Cable sheath is inside the connector block casing before closing the casing.

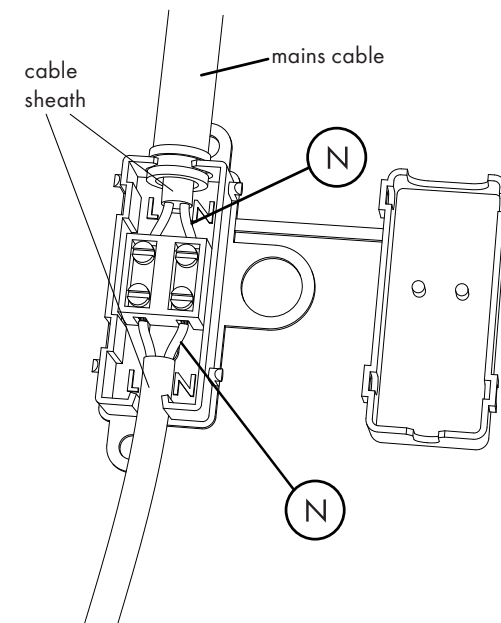
7. Proceed as in installation option 1 (Installation with ceiling plug).



3. Connect the fitting and the connector block to the mains cable as shown. If needed, cover with insulation tape. Check that:

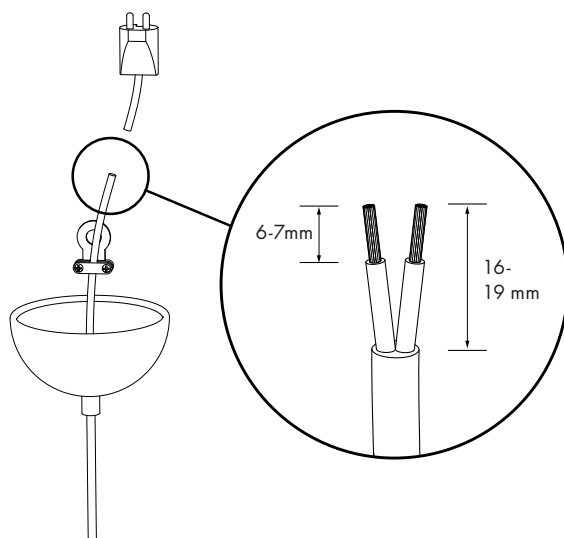
- You have identified the mains cable correctly
- The connections are tight
- No loose strands have been left out from the connector block.
- Cable sheath is inside the connector block casing before closing the casing.

4. Assemble the pendant cup components onto the ceiling as shown below. Assemble the luminaire with a ceiling bracket (illustration A) or use the plastic hook to hang the light (illustration B). Ensure that the cable is not stressed/pressed against anything.

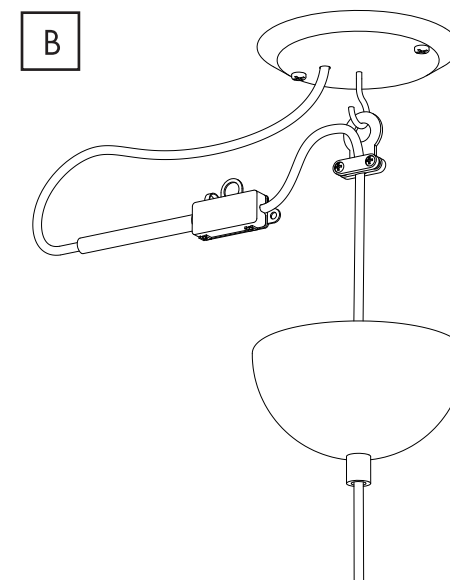
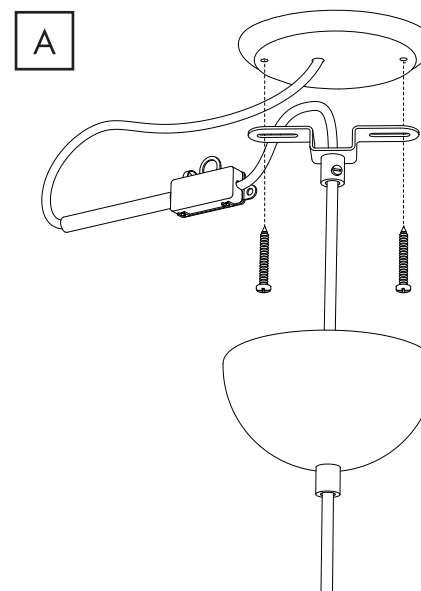


OPTION 3: WIRING AND INSTALLATION

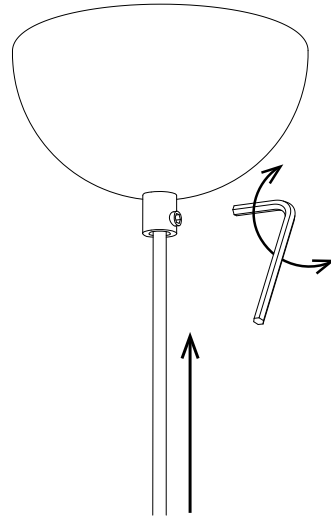
1. Make sure the power supply is disconnected from the fuse box before commencing installation. Remove the ceiling plug from the cable and strip the wires as shown below. Identify the live (brown) and neutral (blue (N)) cable.



2. Unfasten the screw at the cable grip (D) to release cable.

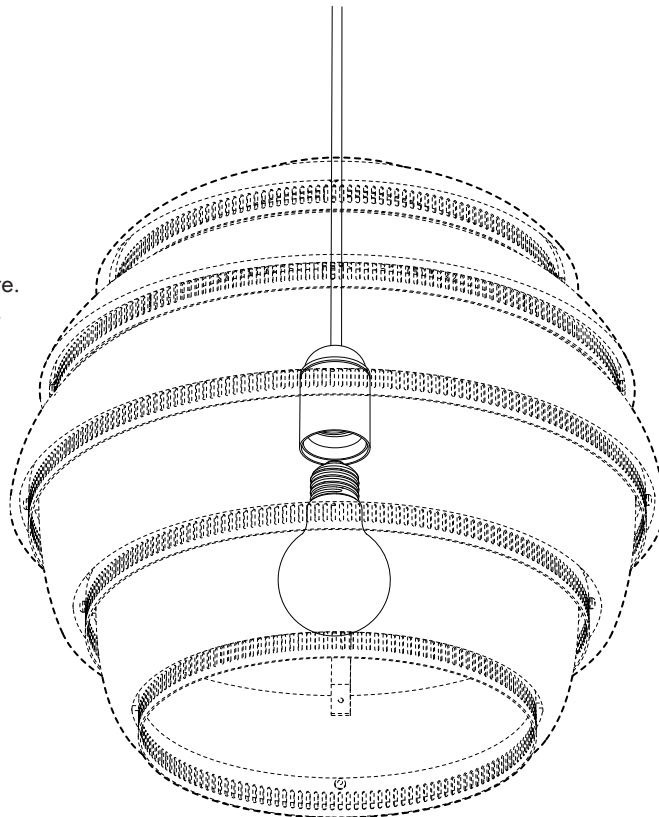


Control cable's length by loosening the two screws on the plastic hook (B) and sliding the cable through. Tighten the screws after adjustment. If you have used the ceiling bracket (H), control the length of the cable by loosening the screw on the ceiling brackets cable grip. Tighten the screw after adjustment. Lift the ceiling cup up and tighten the cable grip screw. Restore power at the fuse box. Your product is now ready to use.



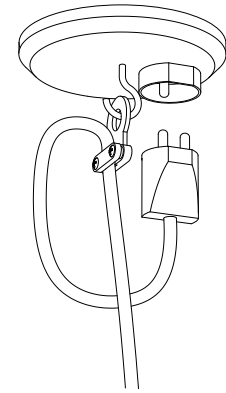
BULB REPLACEMENT

Use max. 75W light bulb with E27 base. Dispose of old bulbs with care. Fit bulb into the light fitting as in the illustration.



OPTION 1: INSTALLATION WITH CEILING PLUG

Use the plastic hook (B) to secure your light on the ceiling hook. Connect the ceiling plug (A) to the electrical outlet. Adjust the length of the cable by loosening the two screws on the plastic hook and moving the plastic hook. Tighten the screws after adjusting the hook position.



OPTION 2: SHORTENING THE ELECTRIC CABLE AND RE-INSTALLING CEILING PLUG

You can shorten the electric cable if needed, and re-connect the ceiling plug (A) to the electric cable using connector block (G). Follow the instructions carefully.

1. Make sure the power supply is disconnected from the fuse box.
2. Remove the plug by cutting the cable. Leave at least 100mm of cable attached to the plug. Strip the cut end of the cable attached to the plug as shown in the illustration. Identify the live (brown) and neutral (blue N) cable.
3. Remove the plastic hook (B) from the cable by unfastening the screws.
4. Unfasten the screw at the ceiling cup cable grip (D) to release cable. Feed the cable through the ceiling cup. Remove the excess cable by cutting.
5. Strip the end of the remaining cable as shown in the illustration. Identify cables.

